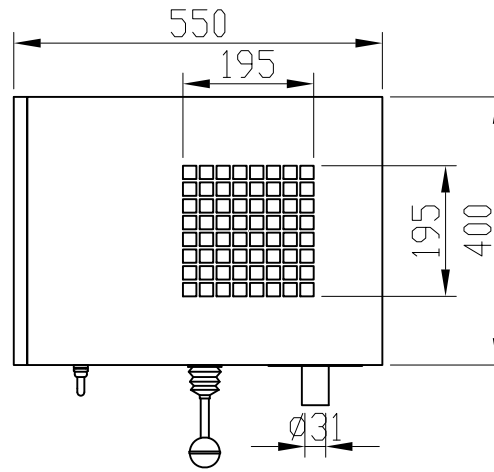
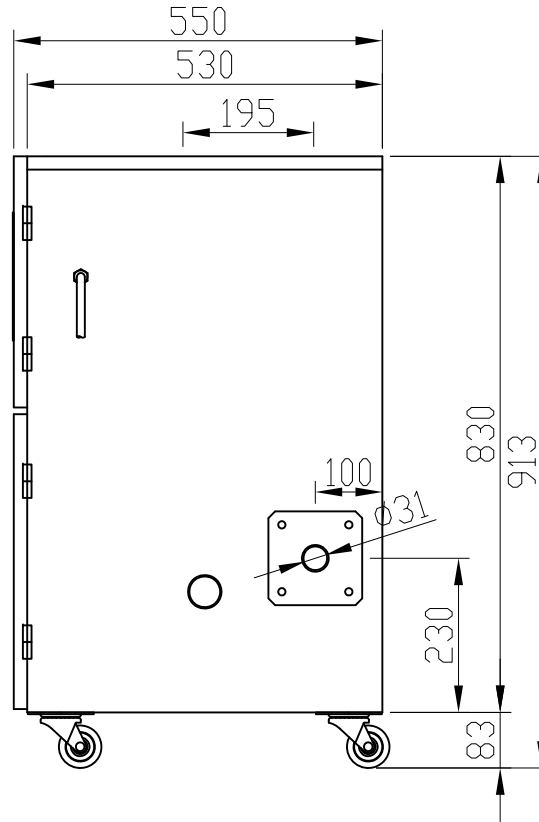
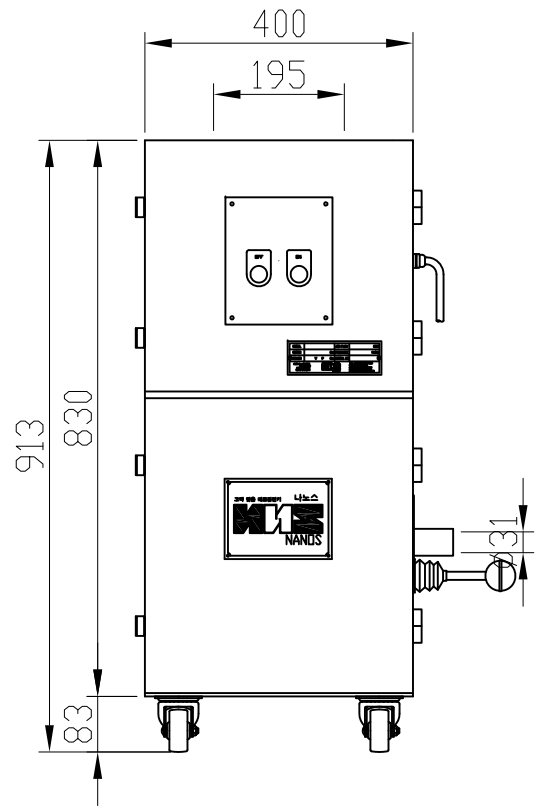


1	CABINET	1	400 x 550 x 830 x 1.6t
2	RING BLOWER	1	0.8kw x 3.4CMM x 1400mmAq
3	BAG FILTER	1	420 x 200 x 7P
4	DUST BOX	1	8 LITER
5	OUTLET	1	PUNCHING PLATE
6	CONTROL PANEL	1	CONTROL SWITCH
7	POWER CABLE	1	V.C.T.F CABLE
8	INLET FLANGE	1	Ø31
9	SHAKING HANDLE	1	Ø35 HANDLE
10	CASTER	4	ROTATION 2.5' STOPPER



\*\*\* CHECK POINTS \*\*\*

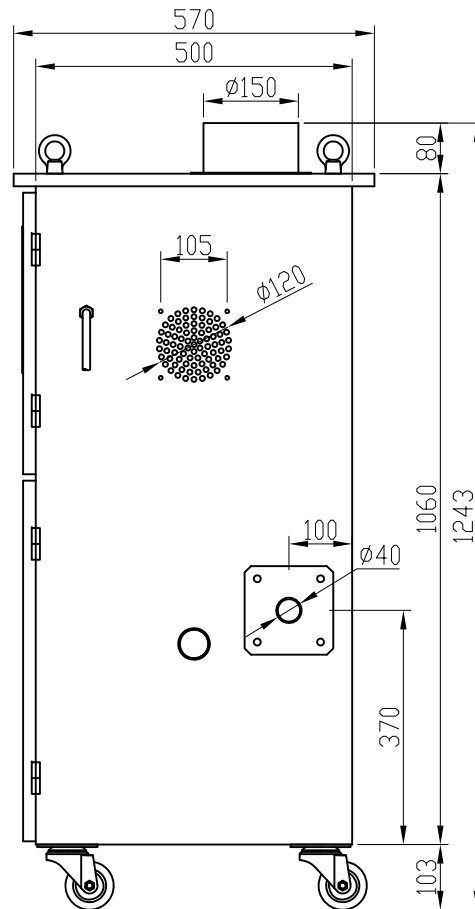
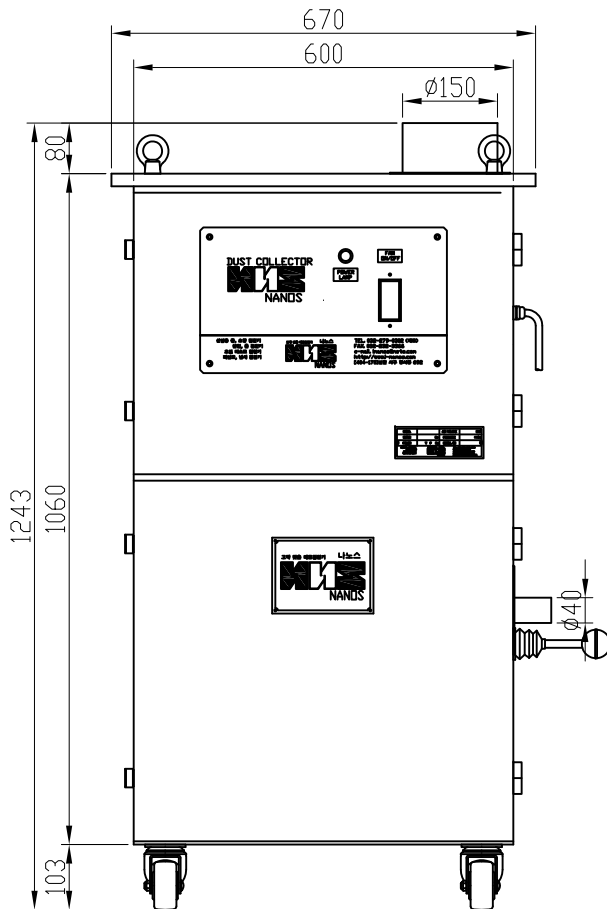
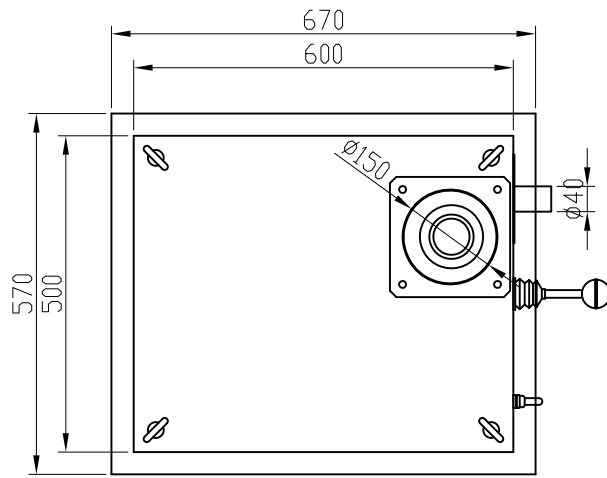
A. ---



SPECIFICATION			
MODEL NAME	NBV-10	OPTION	-
FAN SPEC.			
FAN DIVISION	RING BLOWER (KJB1-750)		
AIR VOLUME	3.4 CMM	STATIC	1400 mmAq
MOTOR	0.85 kw [ 1 HP ]	POWER	220V x 2P
FILTER SPEC.			
1ST	BAG FILTER	MATERIAL	POLYESTER
	SIZE	420 x 200 x 7P	AREA

\*\*\* PAINT COLOR \*\*\*  
 BODY : EX8816(S) 5Y 7/1  
 DOOR : EX8816-DIC546 1/2

 고객맞춤 대표 장비기 www1-nanos.co.kr	SIZE	A3	CUSTOMER	-
	SCALE	1 / 1	TITLE	HIGH VACUUM DUST COLLECTOR
	DRAWN	APPROVED	NANOS DWG. NO.	NBV-10
	B.B.M	-		
12.05.18	-			

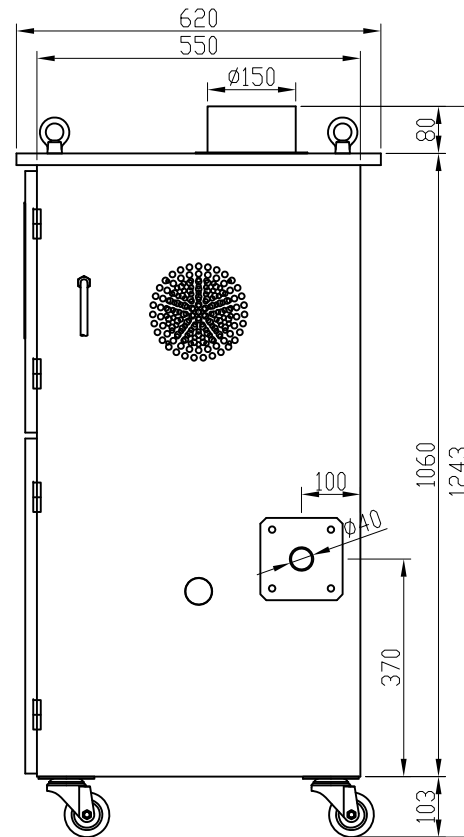
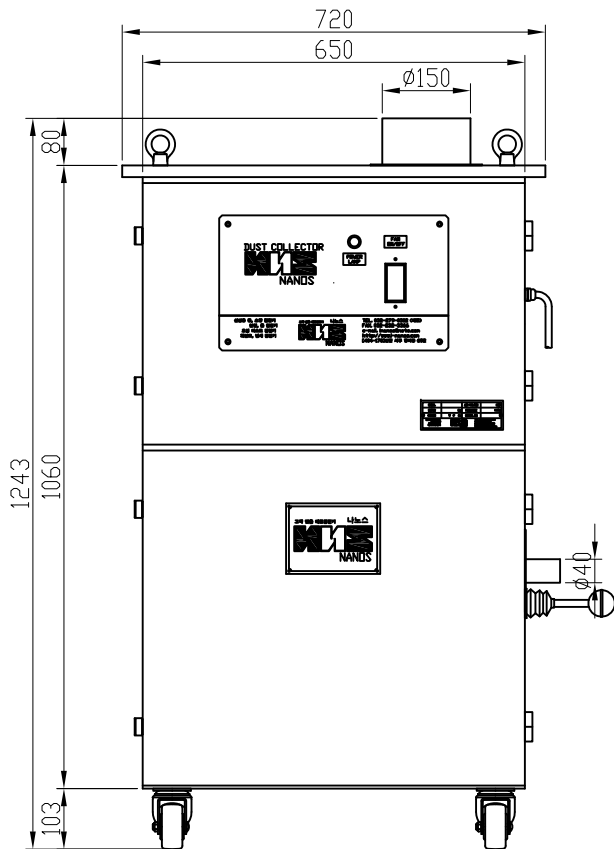
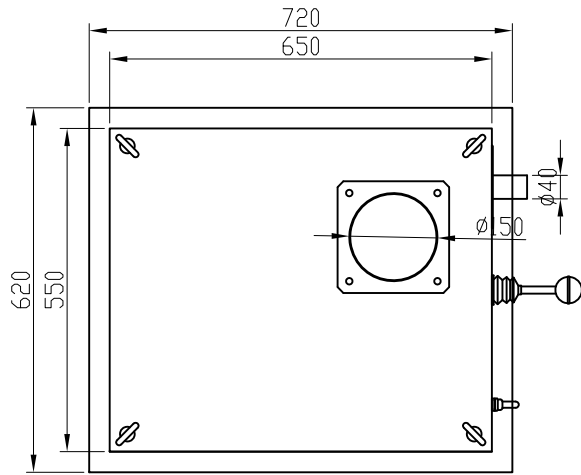


1	CABINET	1	600 x 500 x 900 x 2.3t
2	RING BLOWER	1	1.75kw x 4CMM x 1800mmAq
3	BAG FILTER	2	420 x 200 X 8P
4	DUST BOX	1	42 LITER
5	OUTLET FLANGE	1	Ø150
6	SILENSOR	1	2'
7	CONTROL PANEL	1	CONTROL SWITCH
8	COOLING FAN	4	220Vx19W
9	POWER CABLE	1	V.C.T.F CABLE
10	INLET FLANGE	1	Ø40
11	SHAKING ARM	1	-
12	CASTER	4	ROTATION 3' STOPPER

SPECIFICATION			
MODEL NAME	NBV-20	OPTION	-
FAN SPEC.			
FAN DIVISION	RING BLOWER ( KJB1-1500 )		
AIR VOLUME	4.0 CMM	STATIC	1800 mmAq
MOTOR	1.75 kw	POWER	220V x 2P
FILTER SPEC.			
1ST	BAG FILTER	MATERIAL	POLYESTER
	SIZE	420 x 200 x 8P x 2EA	AREA

\*\*\* PAINT COLOR \*\*\*  
 BODY & DOOR : EX8816(H)-HF-BE066

 고객맞춤 대표 장비기 www1-nanos.co.kr	SIZE	A3	CUSTOMER	-
	SCALE	1 / 1	TITLE	VACUUM BAG FILTER DUST COLLECTOR
	DRAWN	APPROVED	NANOS DWG. NO.	NBV-20
	B.B.M	-		
12.10.21	-			



1	CABINET	1	650 x 550 x 950 x 2.3t
2	RING BLOWER	1	2.55kw x 4CMM x 2200mmAq
3	COOLING PUNCHING	1	Ø166 PUNCHING
4	BAG FILTER	1SET	POLYESTER
5	DUST BOX	1	20 LITER
6	OUTLET FLANGE	1	Ø150
7	LIFT LUG	4	I-NUT M12
8	SILENCER	1	2'
9	CONTROL PANEL	1	CONTROL SWITCH
10	POWER CABLE	1	V.C.T.F CABLE
11	COOLING FAN	1	220v x 19W
12	INLET FLANGE	1	Ø250
13	SHAKING ARM	1	Ø35HANDEL
14	CASTER	4	ROTATION 4' STOPPER

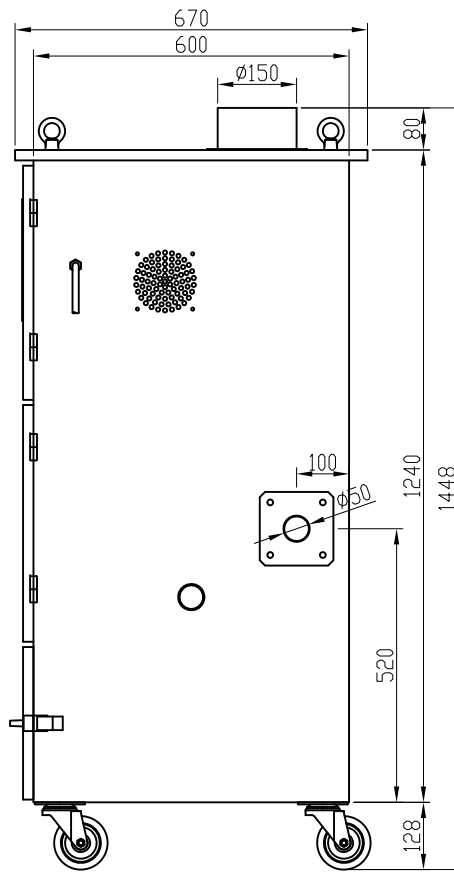
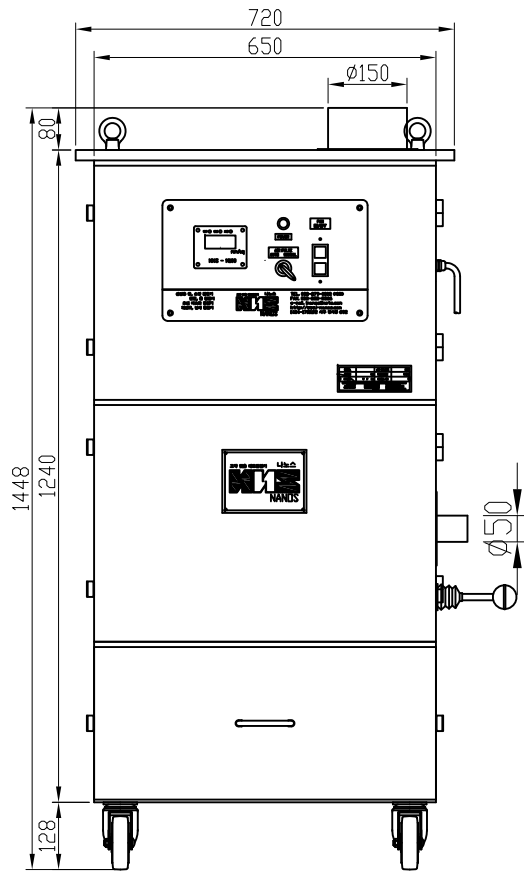
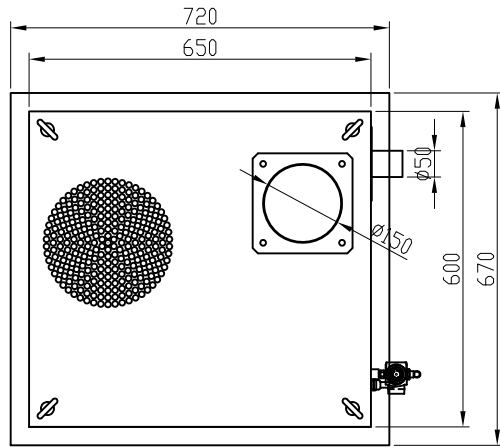
\*\*\* CHECK POINTS \*\*\*

A, ---

SPECIFICATION			
MODEL NAME	NBV-30	OPTION	-
FAN SPEC.			
FAN DIVISION	RING BLOWER ( HRB-400 )		
AIR VOLUME	4 CMM	STATIC	2200 mmAq
MOTOR	2.55 kw [ 3.4 HP ]	POWER	380V x 3P
FILTER SPEC.			
1ST	BAG FILTER	MATERIAL	POLYESTER
	SIZE	420 x 200 x 8P x 2EA	AREA

\*\*\* PAINT COLOR \*\*\*  
 BODY : EX8816(S) 5Y 7/1  
 DOOR : EX8816-DIC546 1/2

 고객맞춤 대표 장비기 www.nanos.co.kr	SIZE	A3	CUSTOMER	-
	SCALE	1 / 1	TITLE	VACUUM BAG FILTER DUST COLLECTOR
	DRAWN	APPROVED	NANDS DWG. NO.	NBV-30
	DATE	12.11.08		



1	CABINET	1	650 x 600 x 1500 x 2.3t
2	RING BLOWER	1	3.7kw x 6CMM x 2800mmAq
3	BAFFLE PLATE	2	PUNCHING PLATE 1.6t
4	BAG FILTER	2	420 x 300 x 8P
5	DUST BOX	1	60.9 LITER
6	TOP COLLING	1	Ø166 x Ø10 PUNCHING
7	OUTLET FLANGE	1	Ø150
8	LIFT LUG	4	I-NUT M12
9	SILENCER	1	4'
10	CONTROL PANEL	1	CONTROL SWITCH
11	COOLING FAN	1	220v x 19w
12	POWER CABLE	1	V.C.T.F CABLE
13	INLET FLANGE	1	Ø50
14	SHAKING HANDEL	1	PBI Ø40 x M10
15	CASTER	4	ROTATION 4' STOPPER

\*\*\* CHECK POINTS \*\*\*

A. ---

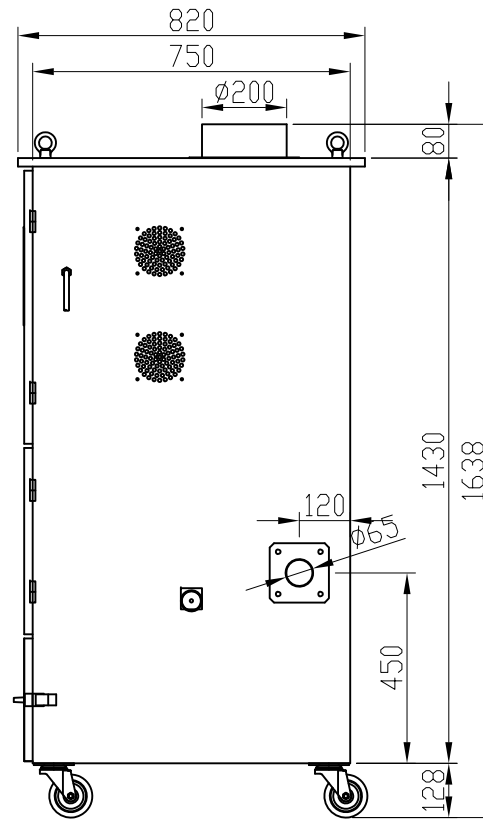
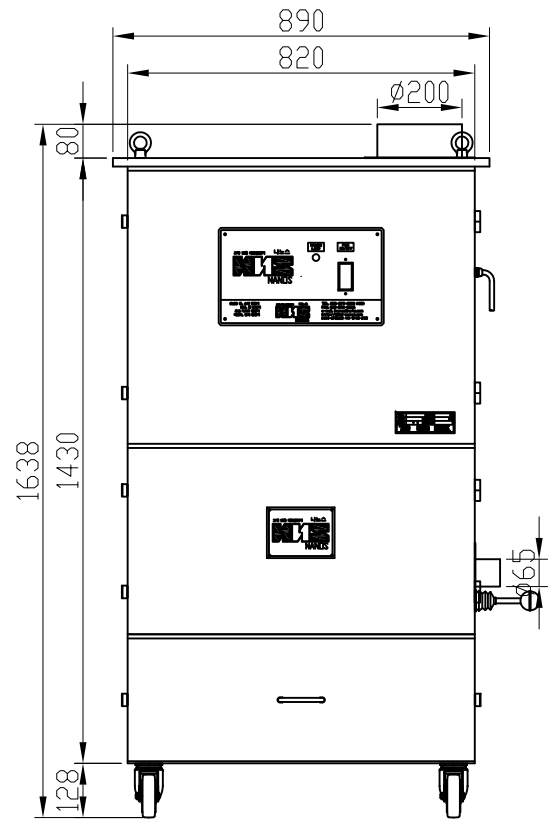
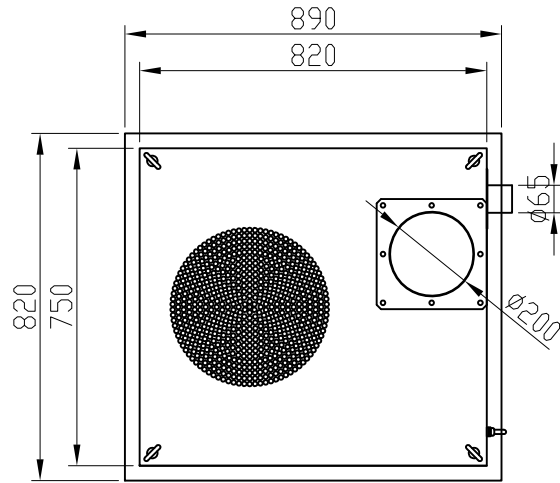
SPECIFICATION			
MODEL NAME	NBV-50	OPTION	-
FAN SPEC.			
FAN DIVISION	RING BLOWER (HRB-600)		
AIR VOLUME	6.0 CMM	STATIC	2800 mmAq
MOTOR	3.7 kw [ 5 HP ]	POWER	380V x 3P
FILTER SPEC.			
1ST	BAG FILTER	MATERIAL	POLYESTER
	SIZE	420 x 300 x 8P x 2EA	AREA

\*\*\* PAINT COLOR \*\*\*

BODY : EX8816(S) 5Y 7/1

DOOR : EX8816-DIC546 1/2

 고객맞춤 대표 장비기 www.nanos.co.kr	SIZE	A3	CUSTOMER	-
	SCALE	1 / 1	TITLE	HIGH PRESSURE VACUUM COLLECTOR
	DRAWN	APPROVED	NANOS DWG. NO.	NBV-50
	DATE	12.06.20		



1	CABINET	1	820 x 750 x 1430 x 3.2t
2	RING BLOWER	1	8.4kw x 10CMM x 3100mmAq
3	BAG FILTER	1	635 x 300 x 5P x 4EA
4	BAFFLE PLATE	2	PUNCHING PLATE 1.6t
5	TOP COOLING	1	PUNCHING PLATE Ø380
6	OUTLET FLANGE	1	Ø200
7	LIFT LUG	4	I-NUT M12
8	SILENSOR	1	2½" SLINSOR
9	CONTROL PANEL	1	CONTROL SWITCH
10	POWER CABLE	1	V.C.T.F CABLE
11	COOLING FAN	2	220v x 19w
12	INLET FLANGE	1	Ø65
13	SHAKING HANDLE	1	PBI Ø40 x M10
14	DUST BOX	1	101 LITER
15	CASTER	4	ROTATION 4' STOPPER

\*\*\* CHECK POINTS \*\*\*

A. ---

SPECIFICATION			
MODEL NAME	NBV-75	OPTION	-
FAN SPEC.			
FAN DIVISION	RING BLOWER < HRB - 800 >		
AIR VOLUME	10 CMM (MAX)	STATIC	3100mmAq (MAX)
MOTOR	6.3 kw [ 8.4 HP ]	POWER	380V x 3P
FILTER SPEC.			
1ST	BAG FILTER	MATERIAL	POLYESTER
	SIZE	635 x 300 x 5P x 4EA	AREA

\*\*\* PAINT COLOR \*\*\*  
 BODY : EX8816(S) 5Y ¼  
 DOOR : EX8816-DIC546 ½

 고객맞춤 대표 장비기 www.nanos.co.kr	SIZE	A3	CUSTOMER	-
	SCALE	1 / 1	TITLE	HIGH VACUUM DUST COLLECTOR
	DRAWN	APPROVED	NANOS DWG. NO.	NBV-75
	B.BM	-		
	12.05.18	-		